

# **APPENDIX J**

## **FLOW CHARTS**

### **GEOTECHNICAL DESIGN MANUAL**

*January 2019*



# APPENDIX J

## FLOW CHARTS

The following list contains the Flow Charts used by SCDOT in the development of seismic design procedures. Please note that these Flow Charts are available at <https://www.scdot.org/business/geotech.aspx> and that the Flow Charts are setup to be printed on an “E” (Arch E (36-inch by 48-inch)) size sheet of paper.

- Figure J-1 – ADRS Curve Development Decision Chart
- Figure J-2 – Geotechnical Seismic Evaluation Process Master Flowchart – Part A
- Figure J-3 – Geotechnical Seismic Evaluation Process Master Flowchart – Part B
- Figure J-4 – Embankment and ERS Design Methodology Chart – Embankments
- Figure J-5 – Embankment and ERS Design Methodology Chart – ERSs (under construction)

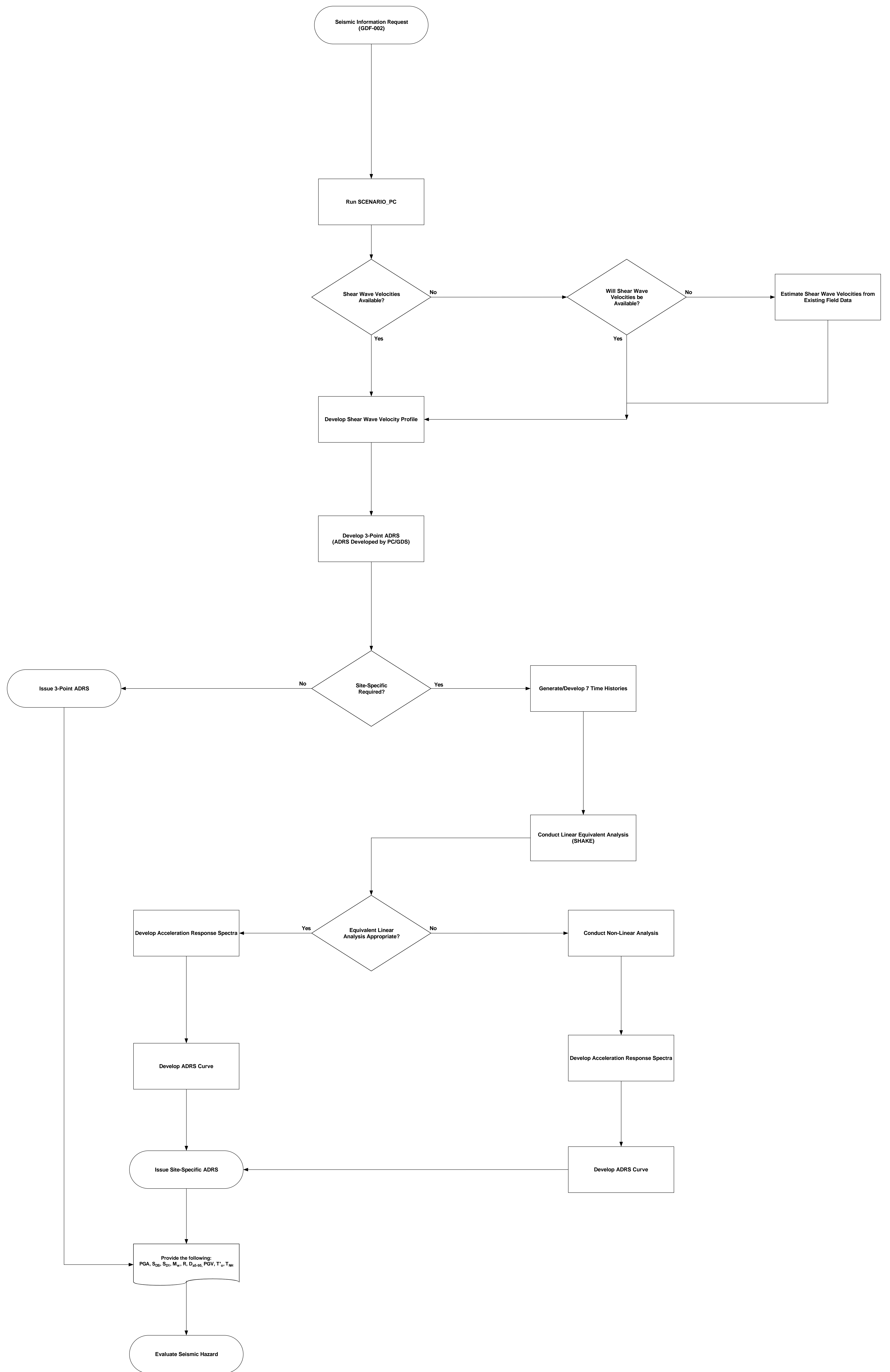


Figure J-1

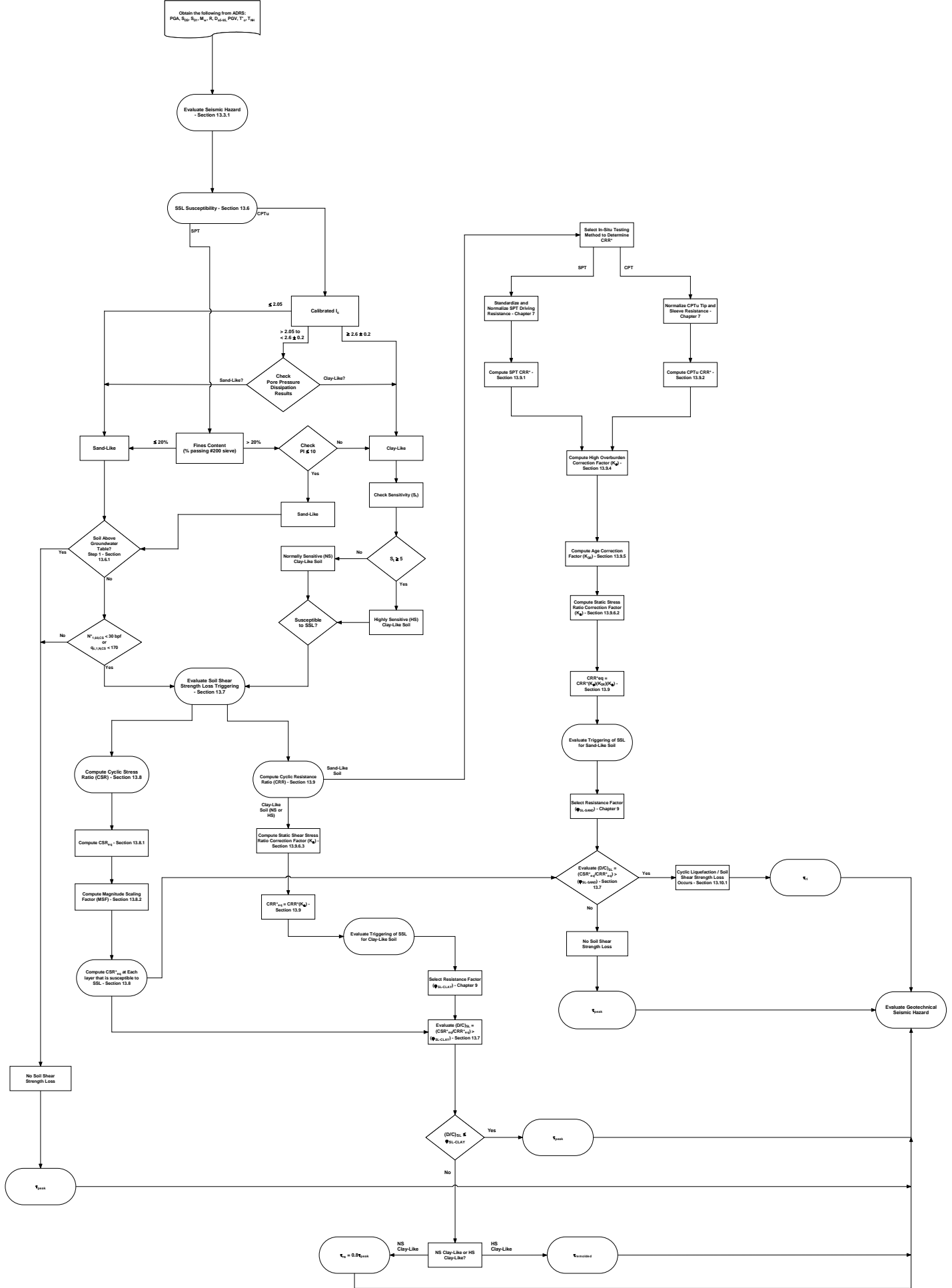


Figure J-2

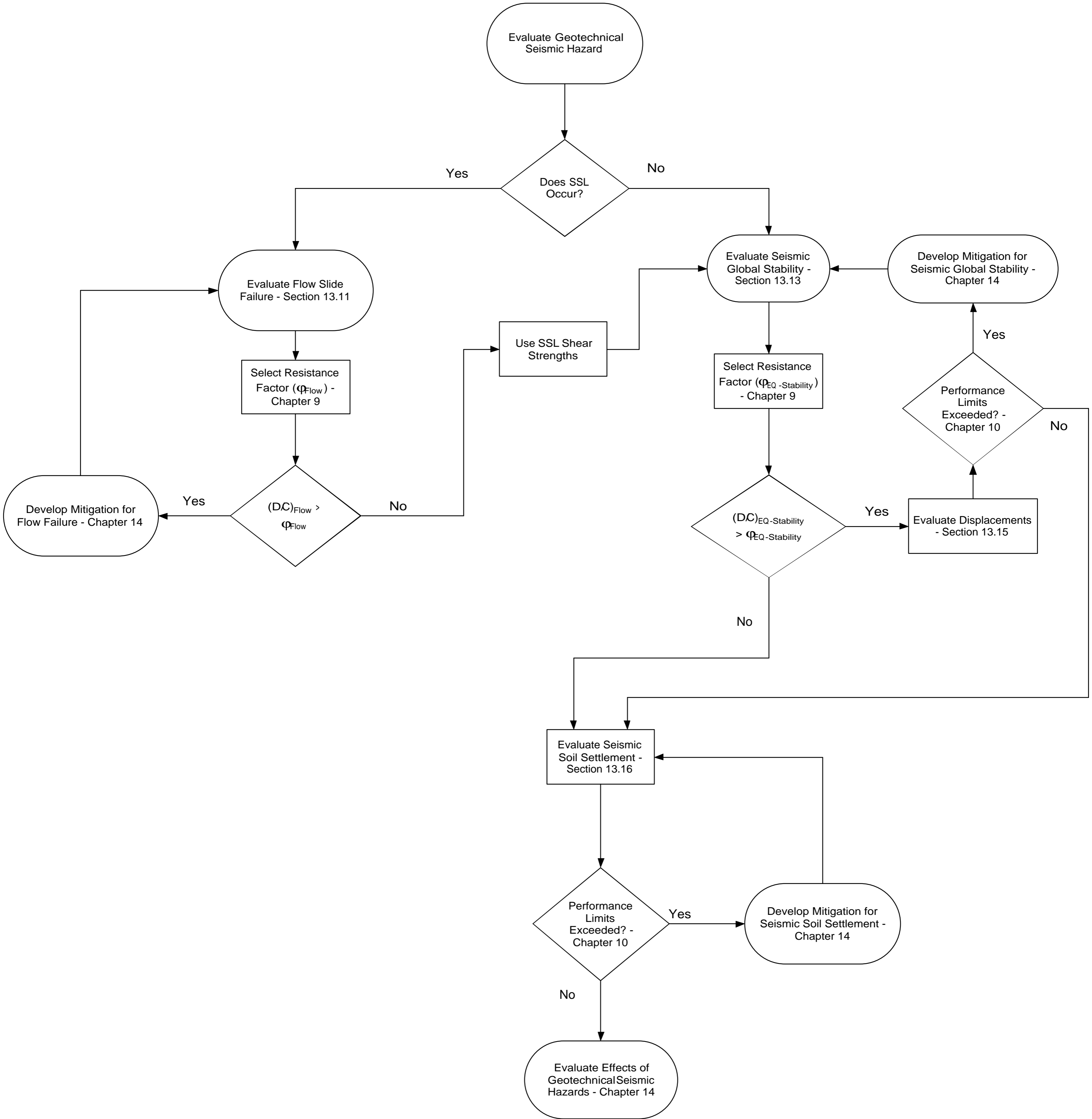


Figure J-3

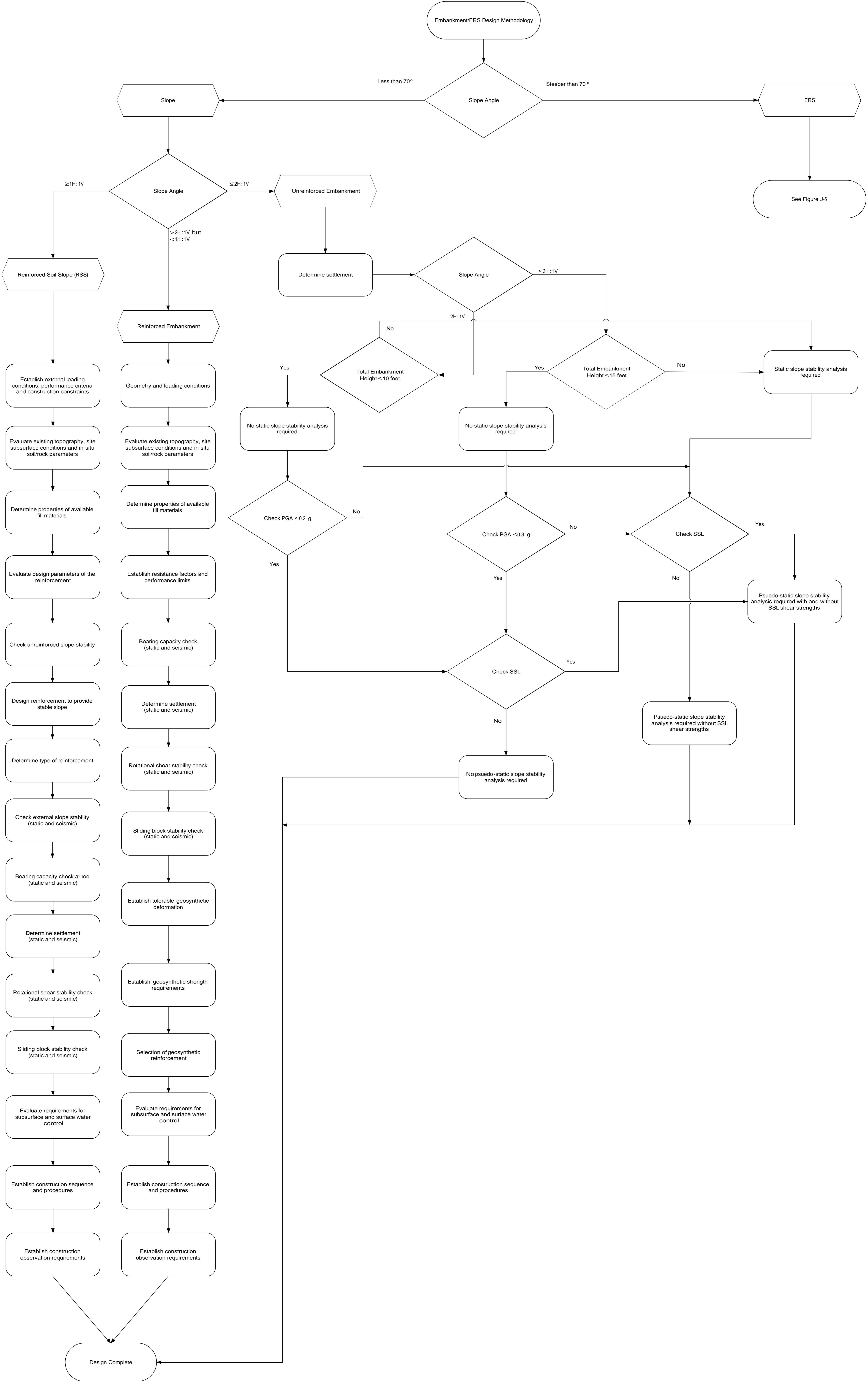


Figure J-4