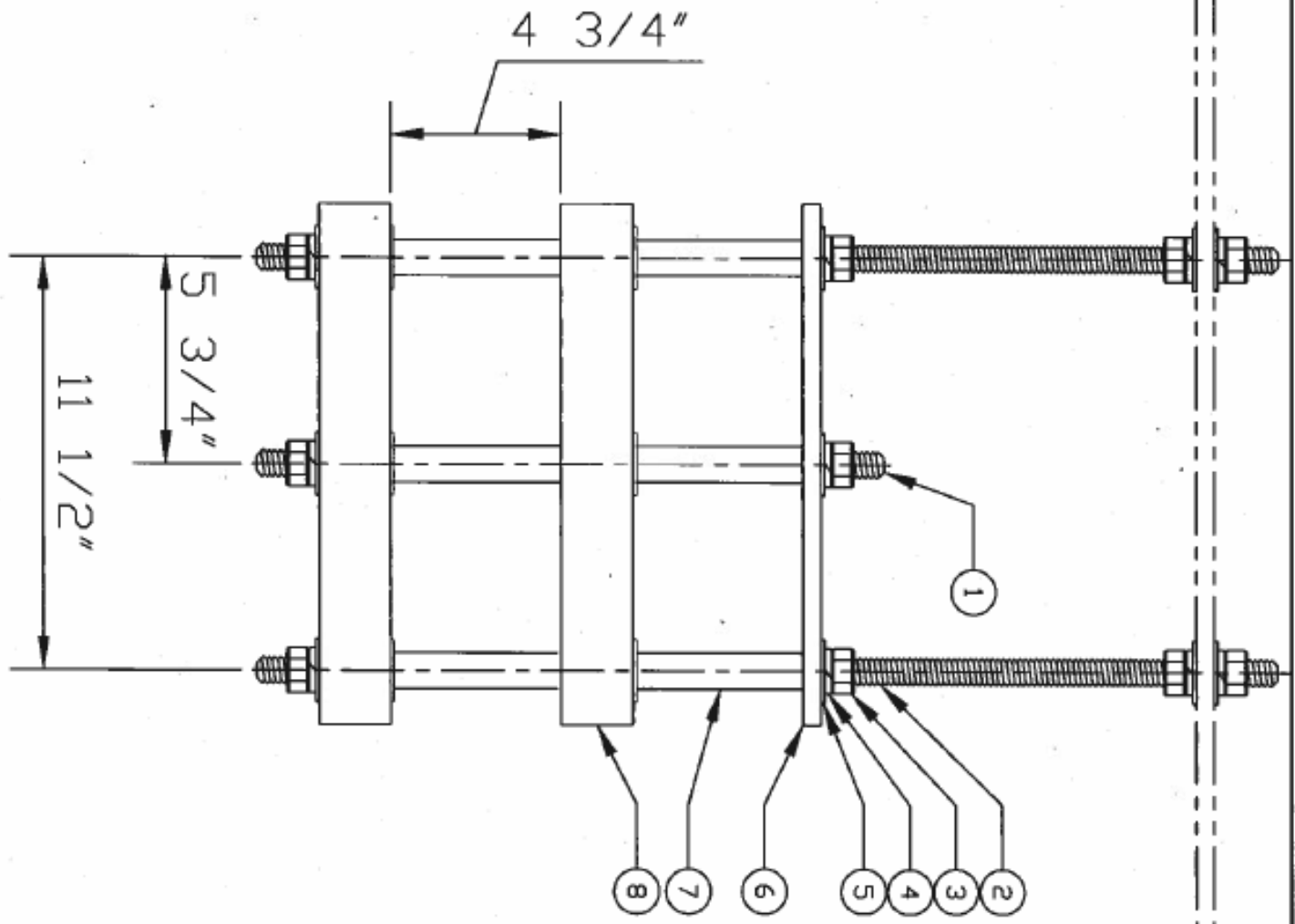


AT&T Bridge Hanger Attachment Specs:

- **4-4" AT&T owned telephone conduits**
- **Conduit will be supported by bridge hangers (see hanger detail below)**
- **4" conduit weight = 0.49 lbs/ft**
- **Fiber inside conduit weight = 0.32 lbs/ft**
- **10"x10" opening in bridge headwall needed for the 4-4" conduits**



ITEM	QUAN.	DESCRIPTION	FINISH
1	1	3/4" ALL THREAD ROD, 17-1/2" LG	LOW CARBON A153 GALV.
2	2	3/4" ALL THREAD ROD, 36" LG	LOW CARBON A153 GALV.
3	10	3/4" FINISHED HEX NUT	ASTM A563 A153 GALV.
4	10	3/4" LOCK WASHER	ASTM A153 GALV.
5	16	3/4" FLAT WASHER	ASTM F436 A153 GALV.
6	1	1/2" X 2" FLAT BAR, 14-1/2" LG	FIBERGLASS GRAY
7	6	1" O.D. ROUND TUBE, 4-3/4" LG	FIBERGLASS GRAY
8	2	1/4" X 2" X 2" SQUARE TUBE, 14-1/2" LG	FIBERGLASS GRAY

NOTES:
ALL MATERIAL IS DOMESTIC

Rev.	Date	Description
0	09-03-2021	Issued for Approval.
PIPE SPECIFICATIONS		
PIPE SIZE	4"	
TEMPERATURE	N/A	
INSULATION	N/A	
MATERIAL	VARIES	
PIPE SYSTEM	Varies	
QUOTE #:	K44-214	
REFERENCE DRAWINGS		REVISION NO.
1) _____	3) _____	1
2) _____	4) _____	SH. 1 OF 1
QUANTITY		TITLE
--		OPTION 2 GRID HANGER FOR 4" CONDUIT
PROJECT		
2H X 2W GRID HANGER		